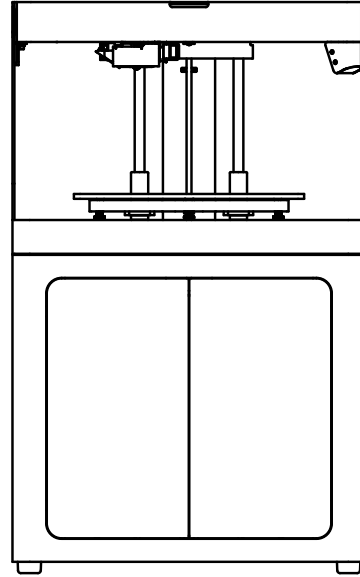
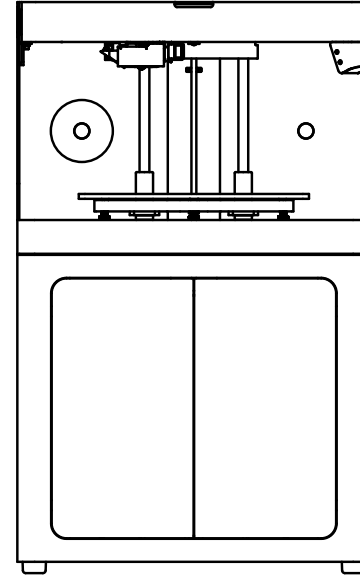


# MARKFORGED INDUSTRIAL SERIES

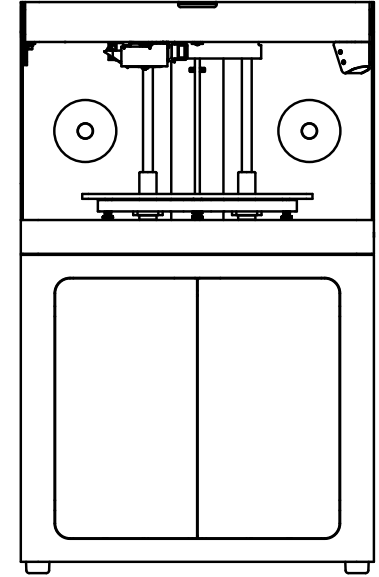
**X3 - STRONG**



**X5 - STRONGER**



**X7 - STRONGEST**



## FEATURE LIST

Part Ultimate Tensile Strength	36 MPa (1.2x ABS)	590 MPa (19.0x ABS)	700 MPa (22.6x ABS)
Max Flexural Stiffness	2.9 GPa (1.4x ABS)	22 GPa (10.7x ABS)	51 GPa (24.8x ABS)
Material: Plastic	Onyx	Onyx	Onyx
Material: Continuous Fiber	None	Fiberglass	Carbon Fiber, Kevlar, Fiberglass, HSHT Fiberglass
Print Head	1 nozzle	2 nozzle	2 nozzle, hardened for abrasive materials
Laser Operations	Laser Assisted Leveling, Active Print Calibration		Laser Assisted Leveling, In-Process Inspection
Build Volume	330 x 270 x 200 mm (13 x 10.6 x 7.9 in) Volume =17820 cu cm.		
Print Bed	Kinematic Magnetic Coupling, 10um Bed Location Repeatability		
Bed Flatness	Precision ground to 80um Peak to Peak Flatness		
Machine Gantry	Reinforced Hardened Steel, 80um Peak to Peak Flatness		
Laser Specs	Accurate to 1um in Z, 25um in XY		
Live build inspection	Built in camera, photos viewable through eiger		
Adaptive Bed Leveling	Laser Bed Level dynamically adapts for first layers of part based on bed scan		
Electronics and Sensing	High Frequency Motion Control Silent Stepper Motors - Encoder feedback on drive and extruder motor - Full out of material detection		
Weight	46kg (102 lbs)	48kg (106 lbs)	48kg (106 lbs)